

PACKAGING

FACE THE CHALLENGE



 **epoca**[®]
Trust the future

MADE IN ITALY

CATALOGUE
PACKAGING

2022 - 2023



SINCE 1968 - ∞

We have been manufacturing plastic products for more than 50 years and today we want to do more..

Plastic..a word that commonly refers just to the material itself, has a thousand and more meanings to us.

Plastic things can be given shape and never change it: just like our plastic, floating in the empty space and never losing a bit of its strength and shape.

We want our products to look like this to you today: in their purest expression of form - not only for what they are used for, but for what they are: not just plastic.

We hope we have managed to do that!

Why did we specialize?

To offer an Italian designed product, a manufacture Made in Italy, quality control and efficient logistics, assets, a family, a working group who faces daily challenges to meet your needs.

Why are we innovative?

We want to offer a complete range of dynamic products, with the goal to constantly present novelties. Our aim is to allow you to renew your offer for your customers. **EPOCA** has been thoroughly selecting for years to reinvest company profits - and innovation and research are the most important sources for this choice.

Why are we attractive and efficient?

For the care and attention that we put into every communication detail, from labels to instruction sheets, from packaging to advertising brochures that appear in specialized magazines in Italy and abroad. We are efficient in communication on the internet, media and social network too, and we take part, along with our distributors' network, to several international trade fairs and other events of geo-local marketing.

Why are we reliable?

For our attention with respect to deliveries, and the strict checking adopted by our Quality Control System. In addition, we assure you to supply the products you've invested in with optimal performance standards – and in no time.

CLEAR AND DETERMINATE GOALS

THREE is the common denominator of EPOCA's philosophy today,

THREE because three are the sisters leading the company

THREE because three are the core areas of business, like the three generations we care aiming at in the process of a generational relay,

THREE because three are the aspects that we treat with the utmost care: Customers, Products and Environment.

Why are we solid?

To ensure you a feeling of solidity, and not just an image. Our increase in business volume and our growing presence into new markets, as well as consolidation of **EPOCA's** historical markets, are the result of a conscious selection and of a strong will of growth in Italy. The reverse of tendency is definitely a difficult decision, but it's one choice we continue to believe in.

Why are we sustainable?

To offer hope to the environment and the opportunity for you to raise awareness among your customers in taking care, through daily activities, of a planet that we are ethically obliged to leave healthy to our children. Today 30% of our products are made of regenerated plastics, but in 2010 we were the first to build a market-leading line of items (Ecolove) with recycled plastic -and we have no intention to change direction. The choice of using recycled materials for our cardboard recyclable packaging, and to print our catalogues on FSC certified paper, has led us to the remarkable result of using more than 60% of recycled cartons, which are, of course, 100% recyclable.

Why do we stand in solidarity?



To give hope to those who really need help support programs that promote health, human rights and education for adults and children (Doctors without Borders, the League of Golden Thread, AIRC, UNICEF and others). But the roots of solidarity within the company lie in the family members, who, all together, find the energy and the ability to solve problems, passing on to the employees a sense of belonging, source of tireless daily work. The sense of belonging which characterizes every member of Epoca is the engine of our success.

SECTORS


We are a professional and reliable partner for our Customers, Importers and Distributors. We stand out for our considerable fieldwork, our deep know-how and our excellent pre and post-sales support. Thanks to their quality and functionality, our products have what it takes to give an outstanding surplus value to companies that operate in different fields.


In order to facilitate your selection on which product may be the right one for your application, we have added some icons to define the different fields of application.

The fields of application we have identified are:

- Chemical Industry 
- Cosmetic industry 
- Automotive Industry 
- Food industry 

In each section of the brochure (Bottles, Trigger Sprayers, Spray Pumps, Dispenser Pumps and Community), you can find one or more icons next to each product, according to the different field of application.

 customized

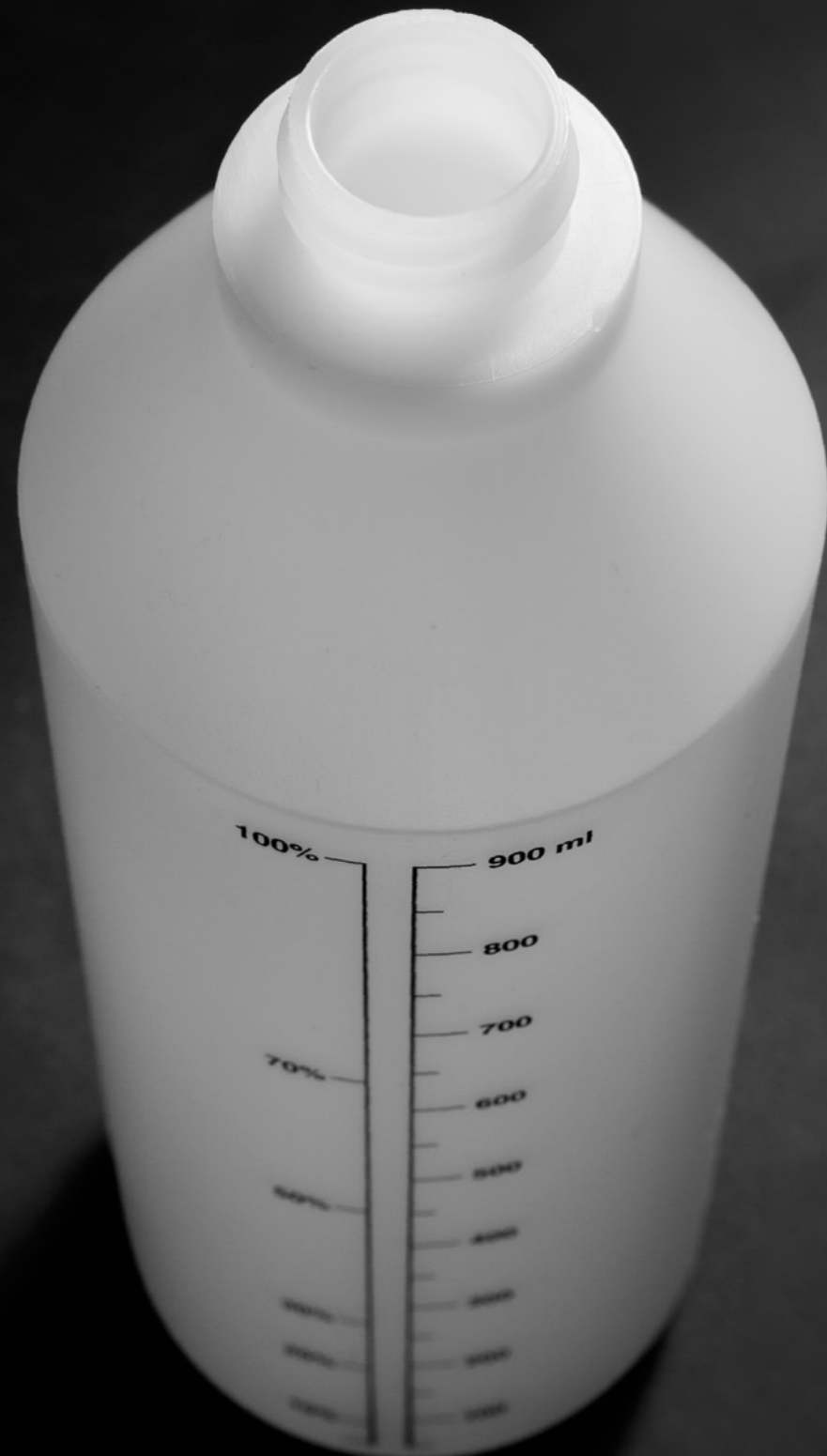
 food contact materials

 MADE IN ITALY

 epoca®
Trust the future



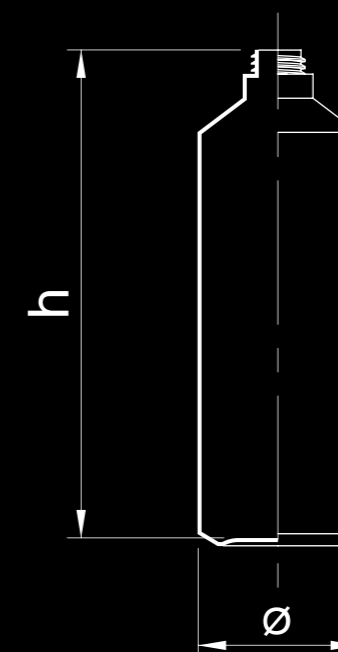
BOTTLES



BOTTLES

Bottles range includes products in HDPE or PVC, with different capacities that go from 140 ml up to 1045 ml. These bottles can be supplied with or without a wide range of accessories such as caps, trigger sprayers, spray pumps and dispensers. There are many different models available, for example: EP01 that is fitted with silk-screen printed scale in ml and % or EP10 that has embossed graduated scale (up to 600 ml) with dilution percentage – EP10VS is also available with view stripe. It is possible to have them customized with pad printing, silk-screen printing, labeling or just in anonymous version. Available upon request bottle of specific Pantone® colours. Epoca gives the opportunity to project and produce bottles upon specific customer's requirement.

The most common fields of application are: industrial and home cleaning, sanification, disinfection, cosmetic, pharmaceutical, industrial supply, car-care, food industry and chains.



DIMENSIONS

Bottles, overcaps and caps

h: internal height of the bottle
ø: external diameter for cylindrical bottles or maximum and minimum dimensions at the bottom for non cylindrical bottles

MATERIALS

HDPE: high density Polyethylene
PS: Polystyrene
PVC: Polyvinyl Chloride

EP01 28/400



TECHNICAL SPECIFICATIONS

Capacity ml	1035
Thread	28/400
Material	HDPE
Weight g	69
h mm	243,7
Ø mm	81
Packing	bulk

CODE	THREAD	COLOUR	CARTON				EURO PALLET	
			PCS/CTN	DIMENSIONS (cm)	WEIGHT (Kg)	VOLUME (m3)	CTN/PLT	PCS/PLT
06256	28/400	natural clear	180	79,0 x 59,0 x 73,0	15,16	0,340	6	1080
06260	28/400	white	180	79,0 x 59,0 x 73,0	15,16	0,340	6	1080

EP01/P 28/400



TECHNICAL SPECIFICATIONS

Capacity ml	1035
Thread	28/400
Material	HDPE
Weight g	69
h mm	243,7
Ø mm	81
Packing	bulk

PLUS

- bottle equipped with printed graduated scale in ml and in %

CODE	THREAD	COLOUR	CARTON				EURO PALLET	
			PCS/CTN	DIMENSIONS (cm)	WEIGHT (Kg)	VOLUME (m3)	CTN/PLT	PCS/PLT
06281	28/400	natural clear	180	79,0 x 59,0 x 73,0	15,16	0,340	6	1080

EP01/S



TECHNICAL SPECIFICATIONS

Capacity ml	1035
Thread	28/410
Material	HDPE
Weight g	70
h mm	250
Ø mm	81
Packing	bulk

NOTE

- model compatible only with cap Art 027 28/410 (code B01310)

PLUS

- suitable with seal closure

CODE	THREAD	COLOUR	CARTON				EURO PALLET	
			PCS/CTN	DIMENSIONS (cm)	WEIGHT (Kg)	VOLUME (m3)	CTN/PLT	PCS/PLT
06344	28/410	white	170	79,0 x 59,0 x 73,0	14,64	0,340	6	1020

EP36 28/400 - EP36 28/410



TECH. SPEC. EP36 28/400

Capacity ml	790
Thread	28/400
Material	HDPE
Weight g	52
h mm	233,2
Ø mm	72
Packing	bulk

TECH. SPEC. EP36 28/410

Capacity ml	790
Thread	28/410
Material	HDPE
Weight g	54
h mm	237,6
Ø mm	72
Packing	bulk

CODE	THREAD	COLOUR	CARTON				EURO PALLET	
			PCS/CTN	DIMENSIONS (cm)	WEIGHT (Kg)	VOLUME (m3)	CTN/PLT	PCS/PLT
06387	28/400	natural clear	220	79,0 x 59,0 x 73,0	14,18	0,340	6	1320
06390	28/410	natural clear	220	79,0 x 59,0 x 73,0	14,62	0,340	6	1320

EP02 28/400 - EP02 28/410



TECH. SPEC. EP02 28/400

Capacity ml	520
Thread	28/400
Material	HDPE
Weight g	44
h mm	168,0
Ø mm	72
Packing	bulk

TECH. SPEC. EP02 28/410

Capacity ml	520
Thread	28/410
Material	HDPE
Weight g	45
h mm	170,9
Ø mm	72
Packing	bulk

CODE	THREAD	COLOUR	CARTON				EURO PALLET	
			PCS/CTN	DIMENSIONS (cm)	WEIGHT (Kg)	VOLUME (m3)	CTN/PLT	PCS/PLT
06360	28/400	natural clear	350	79,0 x 59,0 x 73,0	18,14	0,340	6	2100
06378	28/410	natural clear	330	79,0 x 59,0 x 73,0	17,59	0,340	6	1980

EP14 28/400



TECHNICAL SPECIFICATIONS

Capacity ml	1045
Thread	28/400
Material	HDPE
Weight g	57
h mm	208,0
Ø mm	115
Packing	bulk

CODE	THREAD	COLOUR	CARTON				EURO PALLET	
			PCS/CTN	DIMENSIONS (cm)	WEIGHT (Kg)	VOLUME (m3)	CTN/PLT	PCS/PLT
06677	28/400	natural clear	170	79,0 x 59,0 x 73,0	12,43	0,340	6	1020

EP12 28/400



TECHNICAL SPECIFICATIONS

Capacity ml	575
Thread	28/400
Material	HDPE
Weight g	33
h mm	145,5
Ø mm	102
Packing	bulk

			CARTON				EURO PALLET	
CODE	THREAD	COLOUR	PCS/CTN	DIMENSIONS (cm)	WEIGHT (Kg)	VOLUME (m3)	CTN/PLT	PCS/PLT
06620	28/400	natural clear	320	79,0 x 59,0 x 73,0	13,30	0,340	6	1920

EP16 28/400



TECHNICAL SPECIFICATIONS

Capacity ml	1135
Thread	28/400
Material	HDPE
Weight g	62
h mm	184,7
Ø mm	115
Packing	bulk

			CARTON				EURO PALLET	
CODE	THREAD	COLOUR	PCS/CTN	DIMENSIONS (cm)	WEIGHT (Kg)	VOLUME (m3)	CTN/PLT	PCS/PLT
06803	28/400	natural clear	160	79,0 x 59,0 x 73,0	12,66	0,340	6	960
06806	28/400	white	160	79,0 x 59,0 x 73,0	12,66	0,340	6	960

EP15 28/400



TECHNICAL SPECIFICATIONS

Capacity ml	680
Thread	28/400
Material	HDPE
Weight g	45
h mm	153,5
Ø mm	102
Packing	bulk

			CARTON				EURO PALLET	
CODE	THREAD	COLOUR	PCS/CTN	DIMENSIONS (cm)	WEIGHT (Kg)	VOLUME (m3)	CTN/PLT	PCS/PLT
06732	28/400	natural clear	260	79,0 x 59,0 x 73,0	14,44	0,340	6	1560
06734	28/400	white	260	79,0 x 59,0 x 73,0	14,44	0,340	6	1560

EP22 28/400 - EP22 28/410



28/400 natural clear 28/400 white 28/410 natural clear 28/410 white

TECHNICAL SPECIFICATIONS EP22 28/400

Capacity ml	790
Thread	28/400
Material	HDPE
Weight g	58
h mm	243,5
Ø mm	110 x 63
Packing	bulk

TECHNICAL SPECIFICATIONS EP22 28/410

Capacity ml	790
Thread	28/410
Material	HDPE
Weight g	58
h mm	249,0
Ø mm	110 x 63
Packing	bulk

			CARTON				EURO PALLET	
CODE	THREAD	COLOUR	PCS/CTN	DIMENSIONS (cm)	WEIGHT (Kg)	VOLUME (m3)	CTN/PLT	PCS/PLT
07018	28/400	natural clear	230	79,0 x 59,0 x 73,0	16,08	0,340	6	1380
07019	28/400	white	230	79,0 x 59,0 x 73,0	16,08	0,340	6	1380
07024	28/410	natural clear	230	79,0 x 59,0 x 73,0	16,08	0,340	6	1380
07025	28/410	white	230	79,0 x 59,0 x 73,0	16,08	0,340	6	1380

EP35 28/400 - EP35 28/410 - EP35 LOCK CAP



28/400 natural clear 28/410 white 28/410 natural clear LOCK CAP white

TECHNICAL SPECIFICATIONS EP35 28/400

Capacity ml	540
Thread	28/400
Material	HDPE
Weight g	45
h mm	195,8
Ø mm	95 x 64,3
Packing	bulk

TECHNICAL SPECIFICATIONS EP35 28/410

Capacity ml	540
Thread	28/410
Material	HDPE
Weight g	45
h mm	200,1
Ø mm	95 x 64,3
Packing	bulk

TECHNICAL SPECIFICATIONS EP35 LOCK CAP

Capacity ml	540
Thread	Lock Cap
Material	HDPE
Weight g	45
h mm	199,4
Ø mm	95 x 64,3
Packing	bulk

NOTE

• version Ep35 Lock Cap is compatible only with Child Resistant sprayer Sp05

			CARTON				EURO PALLET	
CODE	THREAD	COLOUR	PCS/CTN	DIMENSIONS (cm)	WEIGHT (Kg)	VOLUME (m3)	CTN/PLT	PCS/PLT
07112	28/400	natural clear	320	79,0 x 59,0 x 73,0	17,14	0,340	6	1920
07120	28/410	white	320	79,0 x 59,0 x 73,0	17,14	0,340	6	1920
07119	28/410	natural clear	320	79,0 x 59,0 x 73,0	17,14	0,340	6	1920
07123	Lock Cap	white	320	79,0 x 59,0 x 73,0	17,14	0,340	6	1920

EP10 28/400 - EP10 28/410



TECHNICAL SPECIFICATIONS EP10 28/400

Capacity ml 630
 Thread 28/400
 Material HDPE
 Weight g 51
 h mm 185,2
 Ø mm 96 x 80
 Packing bulk

TECHNICAL SPECIFICATIONS EP10 28/410

Capacity ml 630
 Thread 28/410
 Material HDPE
 Weight g 51
 h mm 189,1
 Ø mm 96 x 80
 Packing bulk

PLUS

• bottle with embossed graduated scale in ml and dilution scale in %

CODE	THREAD	COLOUR	CARTON				EURO PALLET	
			PCS/CTN	DIMENSIONS (cm)	WEIGHT (Kg)	VOLUME (m3)	CTN/PLT	PCS/PLT
06454	28/400	natural clear	280	79,0 x 59,0 x 73,0	17,02	0,340	6	1680
06573	28/410	natural clear	280	79,0 x 59,0 x 73,0	17,02	0,340	6	1680

EP07 28/400



TECHNICAL SPECIFICATIONS

Capacity ml 530
 Thread 28/400
 Material HDPE
 Weight g 46
 h mm 173,7
 Ø mm 88
 Packing bulk

CODE	THREAD	COLOUR	CARTON				EURO PALLET	
			PCS/CTN	DIMENSIONS (cm)	WEIGHT (Kg)	VOLUME (m3)	CTN/PLT	PCS/PLT
06406	28/400	natural clear	320	79,0 x 59,0 x 73,0	17,46	0,340	6	1920

EP08 28/400



TECHNICAL SPECIFICATIONS

Capacity ml 572
 Thread 28/400
 Material HDPE
 Weight g 39
 h mm 165
 Ø mm 96
 Packing bulk

CODE	THREAD	COLOUR	CARTON				EURO PALLET	
			PCS/CTN	DIMENSIONS (cm)	WEIGHT (Kg)	VOLUME (m3)	CTN/PLT	PCS/PLT
06420	28/400	black	320	79,0 x 59,0 x 73,0	15,22	0,340	6	1920

EP10 28/400 VS



TECHNICAL SPECIFICATIONS

Capacity ml 630
 Thread 28/400
 Material HDPE
 Weight g 51
 h mm 185,2
 Ø mm 96 x 80
 Packing bulk

PLUS

• bottle with view stripe with embossed graduated scale in ml and dilution scale in %



CODE	THREAD	COLOUR	CARTON				EURO PALLET	
			PCS/CTN	DIMENSIONS (cm)	WEIGHT (Kg)	VOLUME (m3)	CTN/PLT	PCS/PLT
06560	28/400	white	280	79,0 x 59,0 x 73,0	17,02	0,340	6	1680
06562	28/400	red	280	79,0 x 59,0 x 73,0	17,02	0,340	6	1680
06563	28/400	green	280	79,0 x 59,0 x 73,0	17,02	0,340	6	1680
06564	28/400	light blue	280	79,0 x 59,0 x 73,0	17,02	0,340	6	1680
06561	28/400	yellow	280	79,0 x 59,0 x 73,0	17,02	0,340	6	1680

EP32 28/400 - EP32 28/300



TECH. SPEC. EP32 28/400

Capacity ml 520
 Thread 28/400
 Material HDPE
 Weight g 38
 h mm 201,6
 Ø mm 63
 Packing bulk

TECH. SPEC. EP32 28/300

Capacity ml 520
 Thread 28/300
 Material HDPE
 Weight g 38
 h mm 200,3
 Ø mm 63
 Packing bulk

CODE	THREAD	COLOUR	CARTON				EURO PALLET	
			PCS/CTN	DIMENSIONS (cm)	WEIGHT (Kg)	VOLUME (m3)	CTN/PLT	PCS/PLT
07194	28/400	natural clear	340	79,0 x 59,0 x 73,0	15,66	0,340	6	2040
07199	28/400	white	340	79,0 x 59,0 x 73,0	15,66	0,340	6	2040
07214	28/300	white	340	79,0 x 59,0 x 73,0	15,66	0,340	6	2040

EP300 28/400



TECHNICAL SPECIFICATIONS

Capacity ml	340
Thread	28/400
Material	HDPE
Weight g	30
h mm	121,5
Ø mm	70
Packing	bulk

			CARTON				EURO PALLET	
CODE	THREAD	COLOUR	PCS/CTN	DIMENSIONS (cm)	WEIGHT (Kg)	VOLUME (m3)	CTN/PLT	PCS/PLT
07139	28/400	natural clear	180	59,0 x 39,0 x 56,0	6,86	0,129	16	2880
07141	28/400	white	180	59,0 x 39,0 x 56,1	6,86	0,129	16	2880

EP20 DIN 168 GL20



TECHNICAL SPECIFICATIONS

Capacity ml	260
Thread	DIN 168 GL20
Material	HDPE
Weight g	32
h mm	167,0
Ø mm	60
Packing	bulk

			CARTON				EURO PALLET	
CODE	THREAD	COLOUR	PCS/CTN	DIMENSIONS (cm)	WEIGHT (Kg)	VOLUME (m3)	CTN/PLT	PCS/PLT
06981	DIN 168 GL20	white	200	59,0 x 39,0 x 56,0	7,86	0,129	16	3200

EP19 DIN 168 GL20



TECHNICAL SPECIFICATIONS

Capacity ml	140
Thread	DIN 168 GL20
Material	HDPE
Weight g	20
h mm	130
Ø mm	50
Packing	bulk

			CARTON				EURO PALLET	
CODE	THREAD	COLOUR	PCS/CTN	DIMENSIONS (cm)	WEIGHT (Kg)	VOLUME (m3)	CTN/PLT	PCS/PLT
06960	DIN 168 GL20	white	350	59,0 x 39,0 x 56,0	8,46	0,129	16	5600

EP31 DIN 168 GL20



TECHNICAL SPECIFICATIONS

Capacity ml	270
Thread	DIN 168 GL20
Material	HDPE
Weight g	26
h mm	187,0
Ø mm	50
Packing	bulk

			CARTON				EURO PALLET	
CODE	THREAD	COLOUR	PCS/CTN	DIMENSIONS (cm)	WEIGHT (Kg)	VOLUME (m3)	CTN/PLT	PCS/PLT
07185	DIN 168 GL20	white	200	59,0 x 39,0 x 56,0	6,66	0,129	16	3200

EP30 DIN 168 GL20



TECHNICAL SPECIFICATIONS

Capacity ml	105
Thread	DIN 168 GL20
Material	HDPE
Weight g	18
h mm	118,0
Ø mm	43
Packing	bulk

			CARTON				EURO PALLET	
CODE	THREAD	COLOUR	PCS/CTN	DIMENSIONS (cm)	WEIGHT (Kg)	VOLUME (m3)	CTN/PLT	PCS/PLT
07175	DIN 168 GL20	white	500	59,0 x 39,0 x 56,0	10,46	0,129	16	8000

EP34 24/410



TECHNICAL SPECIFICATIONS

Capacity ml	270
Thread	24/410
Material	HDPE
Weight g	23
h mm	167,0
Ø mm	51
Packing	bulk

			CARTON				EURO PALLET	
CODE	THREAD	COLOUR	PCS/CTN	DIMENSIONS (cm)	WEIGHT (Kg)	VOLUME (m3)	CTN/PLT	PCS/PLT
07154	24/410	natural clear	250	59,0 x 39,0 x 56,0	7,21	0,129	16	4000

EP33 24/410



TECHNICAL SPECIFICATIONS

Capacity ml	164
Thread	24/410
Material	HDPE
Weight g	16
h mm	142,0
Ø mm	43
Packing	bulk

CODE	THREAD	COLOUR	CARTON				EURO PALLET	
			PCS/CTN	DIMENSIONS (cm)	WEIGHT (Kg)	VOLUME (m3)	CTN/PLT	PCS/PLT
07151	24/410	natural clear	400	59,0 x 39,0 x 56,0	7,86	0,129	16	6400

EP25 28/400



TECHNICAL SPECIFICATIONS

Capacity ml	255
Thread	28/400
Material	PVC
Weight g	38
h mm	113,5
Ø mm	79 x 49
Packing	bulk

CODE	THREAD	COLOUR	CARTON				EURO PALLET	
			PCS/CTN	DIMENSIONS (cm)	WEIGHT (Kg)	VOLUME (m3)	CTN/PLT	PCS/PLT
07087	28/400	transparent	250	59,0 x 39,0 x 56,0	10,96	0,129	16	4000

ART 027 28/410



TECHNICAL SPECIFICATIONS

Thread	28/410
Colour	white
Packing	bulk

NOTE

- compatible only with EP01/s
- ribbed, bore seal with strap seal diam. 35 mm

CODE	CARTON				EURO PALLET	
	PCS/CTN	DIMENSIONS (cm)	WEIGHT (Kg)	VOLUME (m3)	CTN/PLT	PCS/PLT
B01310	1000	37,0 x 29,0 x 28,0	3,15	0,030	64	64000

ART 027 BG 28/400



TECHNICAL SPECIFICATIONS

Thread	28/400
Colour	white
Packing	bulk

NOTE

- ribbed
- gasket in PE liner

CODE	CARTON				EURO PALLET	
	PCS/CTN	DIMENSIONS (cm)	WEIGHT (Kg)	VOLUME (m3)	CTN/PLT	PCS/PLT
B01322	1500	37,0 x 29,0 x 20,0	3,60	0,021	88	132000

ART 4035 24/410



TECHNICAL SPECIFICATIONS

Thread	24/410
Colour	natural clear
Packing	bulk

NOTE

- suitable with bottles EP33 and EP34
- with bore seal

CODE	CARTON				EURO PALLET	
	PCS/CTN	DIMENSIONS (cm)	WEIGHT (Kg)	VOLUME (m3)	CTN/PLT	PCS/PLT
B010501	2500	37,5 x 28,0 x 29,5	5,08	0,031	56	140000

ART B01350 28/410



TECHNICAL SPECIFICATIONS

Thread	28/410
Colour	white
Packing	bulk

NOTE

- with bore seal for bottles with internal neck thread Ø 20,8 mm

CODE	CARTON				EURO PALLET	
	PCS/CTN	DIMENSIONS (cm)	WEIGHT (Kg)	VOLUME (m3)	CTN/PLT	PCS/PLT
B01350	1000	37,0 x 29,0 x 20,0	2,70	0,021	88	88000

TRIGGER SPRAYERS

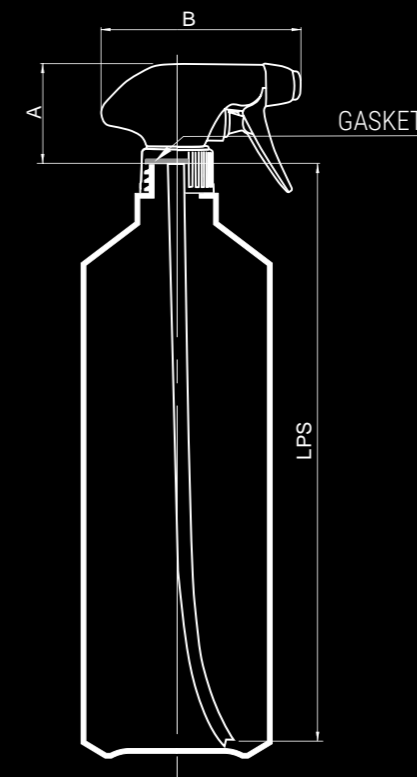


TRIGGER SPRAYERS

A range of sprayers used with products for professional and consumer. They can be used in the fields of house cleaning and sanitizing, pest control and professional cleaning, cosmetics, pharmaceutical, industrial supplies, car care, food industry and chains. We offer a wide range trigger sprayers with different colours, dispensing volume, threads, seals (VITON-NBR-EPDM), type of nozzle, dip tube length. Some models are provided with a child safety device "Child Resistant" and some others with a "360°" system. These sprayers are available individually or can be combined with the numerous bottles available.

O'RING GASKETS

- NBR** Gaskets in nitrile rubber. Ideal with aliphatic hydrocarbons (fuels like gasoline and diesel), mineral oils, diluted acids, alkalis and salt solutions.
 - EPDM** Gaskets in Ethylene-Propylene-Diene. Ideal with glycol-based hydraulic fluids and organic and inorganic acids, detergents, solutions of sodium and potassium, oxygenated solvents (ketones and esters), and atmospheric agents.
 - VITON** Gaskets in Fluorinated Hydrocarbon. Ideal with oils and mineral fats silicone based, animal and vegetable oils, aliphatic hydrocarbons, aromatic hydrocarbons, very good resistance to weather, ozone, oxygen and sunlight.
- ▲ Epoca recommends testing a sample of the product in question (including its seals) with your chemical compositions.



DIMENSIONS

Trigger sprayers

- A: height up to the gasket
- B: trigger sprayer width
- lps: dip tube length (measured in cm)

MATERIALS

- AISI:** Steel
- EVA:** Ethylene Vinyl Acetate
- LDPE:** low density Polyethylene
- PE:** Polyethylene
- POM:** Polyoxymethylene
- PP:** Polypropylene Copolymere

SP05 VP 28/400


available from when old colour combination (black-transparent) stock ends

TECHNICAL SPECIFICATIONS

Thread	28/400
Output ml	1,25
Gasket	PE
Nozzle	on/off
Watertight	yes
Dip tube filter	no
A mm	42,5
B mm	93
Packing	bulk

PLUS

- entirely made in recyclable plastic
- ergonomic lever

CODE	LPS (cm)	COLOUR	MIN. LOT	CARTON				EURO PALLET	
				PCS/CTN	DIMENSIONS (cm)	WEIGHT (Kg)	VOLUME (m3)	CTN/PLT	PCS/PLT
08583	26	transparent	1110	370	60,0 x 40,0 x 34,0	9,02	0,081	24	8880
≍	customized	transparent	4440	370	60,0 x 40,0 x 34,0	9,02	0,081	24	8880
08600	26	black-black	1110	370	60,0 x 40,0 x 34,0	9,02	0,081	24	8880
≍	customized	black-black	4440	370	60,0 x 40,0 x 34,0	9,02	0,081	24	8880

SP05 VP 28/410


NEW

TECHNICAL SPECIFICATIONS

Thread	28/410
Output ml	1,25
Gasket	PE
Nozzle	on/off
Watertight	yes
Dip tube filter	no
A mm	42,5
B mm	93
Packing	bulk

PLUS

- entirely made in recyclable plastic
- ergonomic lever

CODE	LPS (cm)	COLOUR	MIN. LOT	CARTON				EURO PALLET	
				PCS/CTN	DIMENSIONS (cm)	WEIGHT (Kg)	VOLUME (m3)	CTN/PLT	PCS/PLT
08620	26	transparent-blue	1110	370	60,0 x 40,0 x 34,0	9,17	0,081	24	8880
≍	customized	transparent-blue	4440	370	60,0 x 40,0 x 34,0	9,17	0,081	24	8880
08638	26	transparent	1110	370	60,0 x 40,0 x 34,0	9,17	0,081	24	8880
≍	customized	transparent	4440	370	60,0 x 40,0 x 34,0	9,17	0,081	24	8880
08654	26	transparent-red	1110	370	60,0 x 40,0 x 34,0	9,17	0,081	24	8880
≍	customized	transparent-red	4440	370	60,0 x 40,0 x 34,0	9,17	0,081	24	8880
08655	26	transparent-green	1110	370	60,0 x 40,0 x 34,0	9,17	0,081	24	8880
≍	customized	transparent-green	4440	370	60,0 x 40,0 x 34,0	9,17	0,081	24	8880

SP05 VP 28/410 MUSH FOAM WELDED


Welded Mesh

Welded Mesh

TECHNICAL SPECIFICATIONS

Thread	28/410
Output ml	1,25
Gasket	PE
Nozzle	on/off
Watertight	yes
Dip tube filter	no
A mm	43
B mm	98,5
Packing	bulk

PLUS

- entirely made in recyclable plastic
- foam nozzle equipped with welded mesh net
- ergonomic lever

CODE	LPS (cm)	COLOUR	MIN. LOT	CARTON				EURO PALLET	
				PCS/CTN	DIMENSIONS (cm)	WEIGHT (Kg)	VOLUME (m3)	CTN/PLT	PCS/PLT
08688	26	white-red	1110	370	60,0 x 40,0 x 34,0	9,28	0,081	24	8880
≍	customized	white-red	4440	370	60,0 x 40,0 x 34,0	9,28	0,081	24	8880
08689	26	white-blue	1110	370	60,0 x 40,0 x 34,0	9,28	0,081	24	8880
≍	customized	white-blue	4440	370	60,0 x 40,0 x 34,0	9,28	0,081	24	8880

SP05 28/410 DOOR FOAM


foam

fine mist

TECHNICAL SPECIFICATIONS

Thread	28/410
Output ml	1,25
Gasket	PE
Nozzle	on/off
Watertight	yes
Dip tube filter	no
A mm	43
B mm	98,5
Packing	bulk

PLUS

- entirely made in recyclable plastic
- foam nozzle equipped with net
- door closure

CODE	LPS (cm)	COLOUR	MIN. LOT	CARTON				EURO PALLET	
				PCS/CTN	DIMENSIONS (cm)	WEIGHT (Kg)	VOLUME (m3)	CTN/PLT	PCS/PLT
08691	26	white	1110	370	60,0 x 40,0 x 34,0	8,95	0,081	24	8880
≍	customized	white	4440	370	60,0 x 40,0 x 34,0	8,95	0,081	24	8880

SP05 CHILD RESISTANT


TECHNICAL SPECIFICATIONS

Thread	Lock Cap
Output ml	1,25
Gasket	PE
Nozzle	on/off
Watertight	yes
Dip tube filter	no
A mm	45,9
B mm	88
Packing	bulk

PLUS

- entirely made in recyclable plastic
- child resistant it has a block nozzle and Lock Cap
- particularly suitable for spraying harmful products

NOTE

- compatible only with bottle Ep35 Lock Cap

CODE	LPS (cm)	COLOUR	MIN. LOT	CARTON				EURO PALLET	
				PCS/CTN	DIMENSIONS (cm)	WEIGHT (Kg)	VOLUME (m3)	CTN/PLT	PCS/PLT
08564	26	white-white	1110	370	60,0 x 40,0 x 34,0	9,35	0,081	24	8880
≍	customized	white-white	4440	370	60,0 x 40,0 x 34,0	9,35	0,081	24	8880

SP05 360° 28/410


NEW

TECHNICAL SPECIFICATIONS

Thread	28/400
Output ml	1,25
Gasket	PE
Nozzle	on/off
Watertight	yes
Dip tube filter	no
A mm	42,5
B mm	93
Packing	bulk


PLUS

- entirely made in recyclable plastic
- ergonomic lever

CODE	LPS (cm)	COLOUR	MIN. LOT	CARTON				EURO PALLET	
				PCS/CTN	DIMENSIONS (cm)	WEIGHT (Kg)	VOLUME (m3)	CTN/PLT	PCS/PLT
08683	26	transparent	1110	370	60,0 x 40,0 x 34,0	9,02	0,081	24	8880
≍	customized	transparent	4440	370	60,0 x 40,0 x 34,0	9,02	0,081	24	8880
08684	26	black	1110	370	60,0 x 40,0 x 34,0	9,02	0,081	24	8880
≍	customized	black	4440	370	60,0 x 40,0 x 34,0	9,02	0,081	24	8880

SP05 360° 28/400


NEW

TECHNICAL SPECIFICATIONS

Thread	28/400
Output ml	1,25
Gasket	PE
Nozzle	on/off
Watertight	yes
Dip tube filter	no
A mm	42,5
B mm	93
Packing	bulk


PLUS

- entirely made in recyclable plastic
- ergonomic lever

CODE	LPS (cm)	COLOUR	MIN. LOT	CARTON				EURO PALLET	
				PCS/CTN	DIMENSIONS (cm)	WEIGHT (Kg)	VOLUME (m3)	CTN/PLT	PCS/PLT
08680	26	transparent	1110	370	60,0 x 40,0 x 34,0	9,02	0,081	24	8880
≍	customized	transparent	4440	370	60,0 x 40,0 x 34,0	9,02	0,081	24	8880
08681	26	black	1110	370	60,0 x 40,0 x 34,0	9,02	0,081	24	8880
≍	customized	black	4440	370	60,0 x 40,0 x 34,0	9,02	0,081	24	8880

VELA 360° 28/400


TECHNICAL SPECIFICATIONS

Thread	28/400
Output ml	1,3
Gasket	PE
Nozzle	adjustable
Watertight	yes
Dip tube filter	yes
A mm	59
B mm	101
Packing	bulk


PLUS

- dip tube with system 360°
- metal cylinder in aisi stainless steel

NOTE

- dip tube material: EVA

CODE	LPS (cm)	COLOUR	MIN. LOT	CARTON				EURO PALLET	
				PCS/CTN	DIMENSIONS (cm)	WEIGHT (Kg)	VOLUME (m3)	CTN/PLT	PCS/PLT
08447	20,5	white	1000	250	38,5 x 29,0 x 49,5	10,49	0,055	32	8000
≍	customized	white	1000	250	38,5 x 29,0 x 49,5	10,49	0,055	32	8000

VELA 28/400



TECHNICAL SPECIFICATIONS

Thread 28/400
 Output ml 1,3
 Gasket PE
 Nozzle adjustable
 Watertight yes
 Dip tube filter yes
 A mm 59
 B mm 101
 Packing bulk

PLUS

- adjustable nozzle
- dip tube filter

NEW

CODE	LPS (cm)	COLOUR	MIN. LOT	CARTON				EURO PALLET	
				PCS/CTN	DIMENSIONS (cm)	WEIGHT (Kg)	VOLUME (m3)	CTN/PLT	PCS/PLT
08370	17,5	white	350	350	57,5 x 37,5 x 45,0	13,36	0,097	16	5600
08373	20,5	white	350	350	57,5 x 37,5 x 45,0	13,36	0,097	16	5600
08376	25	white	50	50	37,0 x 29,0 x 20,0	2,00	0,021	88	4400
08375	25	white	350	350	57,5 x 37,5 x 45,0	13,36	0,097	16	5600
☒	customized	white	2100	350	57,5 x 37,5 x 45,0	13,36	0,097	16	5600
08397	25	white-red	350	350	57,5 x 37,5 x 45,0	13,36	0,097	16	5600
☒	customized	white-red	2100	350	57,5 x 37,5 x 45,0	13,36	0,097	16	5600
08384	20,5	white-light blue	350	350	57,5 x 37,5 x 45,0	13,36	0,097	16	5600
08388	25	white-light blue	350	350	57,5 x 37,5 x 45,0	13,36	0,097	16	5600
☒	customized	white-light blue	2100	350	57,5 x 37,5 x 45,0	13,36	0,097	16	5600
08400	25	white-green	350	350	57,5 x 37,5 x 45,0	13,36	0,097	16	5600
☒	customized	white-green	2100	350	57,5 x 37,5 x 45,0	13,36	0,097	16	5600
08419	25	white-yellow	350	350	57,5 x 37,5 x 45,0	13,36	0,097	16	5600
☒	customized	white-yellow	2100	350	57,5 x 37,5 x 45,0	13,36	0,097	16	5600
08410	25	black	350	350	57,5 x 37,5 x 45,0	13,36	0,097	16	5600
☒	customized	black	2100	350	57,5 x 37,5 x 45,0	13,36	0,097	16	5600

VELA 28/410



NEW

TECHNICAL SPECIFICATIONS

Thread 28/410
 Output ml 1,3
 Gasket PE
 Nozzle adjustable
 Watertight yes
 Dip tube filter yes
 A mm 59
 B mm 101
 Packing bulk

PLUS

- adjustable nozzle
- dip tube filter

CODE	LPS (cm)	COLOUR	MIN. LOT	CARTON				EURO PALLET	
				PCS/CTN	DIMENSIONS (cm)	WEIGHT (Kg)	VOLUME (m3)	CTN/PLT	PCS/PLT
08495	25	white-light blue	350	350	57,5 x 37,5 x 45,0	13,36	0,097	16	5600
☒	customized	white-light blue	2100	350	57,5 x 37,5 x 45,0	13,36	0,097	16	5600
08483	25	white	350	350	57,5 x 37,5 x 45,0	13,36	0,097	16	5600
☒	customized	white	2100	350	57,5 x 37,5 x 45,0	13,36	0,097	16	5600
08500	25	white-red	350	350	57,5 x 37,5 x 45,0	13,36	0,097	16	5600
☒	customized	white-red	2100	350	57,5 x 37,5 x 45,0	13,36	0,097	16	5600
08510	25	black	350	350	57,5 x 37,5 x 45,0	13,36	0,097	16	5600
☒	customized	black	2100	350	57,5 x 37,5 x 45,0	13,36	0,097	16	5600

MAXI 360° 28/400 **NBR**



TECHNICAL SPECIFICATIONS

Thread 28/400
 Output ml 2,2
 Gasket NBR
 Nozzle adjustable
 Watertight yes
 Dip tube filter yes
 A mm 72,6
 B mm 108
 Packing bulk

PLUS

- dip tube with system 360°
- metal cylinder in aisi stainless steel
- three-finger trigger

NOTE

- dip tube material: EVA



CODE	LPS (cm)	COLOUR	MIN. LOT	CARTON				EURO PALLET	
				PCS/CTN	DIMENSIONS (cm)	WEIGHT (Kg)	VOLUME (m3)	CTN/PLT	PCS/PLT
08203	25	white-red	1000	200	37,5 x 29,0 x 46,0	9,74	0,050	16	5600
☒	customized	white-red	1000	200	37,5 x 29,0 x 46,0	9,74	0,050	16	5600

MAXI 28/400 **NBR**



TECHNICAL SPECIFICATIONS

Thread 28/400
 Output ml 2,2
 Gasket NBR
 Nozzle adjustable
 Watertight yes
 Dip tube filter yes
 A mm 72,6
 B mm 108
 Packing bulk

PLUS

- dip tube filter
- three-finger trigger

CODE	LPS (cm)	COLOUR	MIN. LOT	CARTON				EURO PALLET	
				PCS/CTN	DIMENSIONS (cm)	WEIGHT (Kg)	VOLUME (m3)	CTN/PLT	PCS/PLT
08071	20,5	white	350	350	57,5 x 37,5 x 45,0	14,76	0,097	16	5600
08073	25	white	350	350	57,5 x 37,5 x 45,0	14,76	0,097	16	5600
≪	customized	white	2100	350	57,5 x 37,5 x 45,0	14,76	0,097	16	5600
08078	17,5	white-red	350	350	57,5 x 37,5 x 45,0	14,76	0,097	16	5600
08081	20,5	white-red	350	350	57,5 x 37,5 x 45,0	14,76	0,097	16	5600
08087	25	white-red	350	50	37,0 x 29,0 x 20,0	2,20	0,021	88	4400
08085	25	white-red	350	350	57,5 x 37,5 x 45,0	14,76	0,097	16	5600
≪	customized	white-red	2100	350	57,5 x 37,5 x 45,0	14,76	0,097	16	5600
08105	20,5	white-yellow	350	350	57,5 x 37,5 x 45,0	14,76	0,097	16	5600
08106	25	white-yellow	350	350	57,5 x 37,5 x 45,0	14,76	0,097	16	5600
≪	customized	white-yellow	2100	350	57,5 x 37,5 x 45,0	14,76	0,097	16	5600
08098	20,5	white-green	350	350	57,5 x 37,5 x 45,0	14,76	0,097	16	5600
08100	25	white-green	350	350	57,5 x 37,5 x 45,0	14,76	0,097	16	5600
≪	customized	white-green	2100	350	57,5 x 37,5 x 45,0	14,76	0,097	16	5600
08106	25	white-light blue	350	350	57,5 x 37,5 x 45,0	14,76	0,097	16	5600
≪	customized	white-light blue	2100	350	57,5 x 37,5 x 45,0	14,76	0,097	16	5600

MAXI 28/400 **EPDM**



TECHNICAL SPECIFICATIONS

Thread 28/400
 Output ml 2,2
 Gasket EPDM
 Nozzle adjustable
 Watertight yes
 Dip tube filter yes
 A mm 72,6
 B mm 108
 Packing bulk

PLUS

- dip tube filter
- three-finger trigger

CODE	LPS (cm)	COLOUR	MIN. LOT	CARTON				EURO PALLET	
				PCS/CTN	DIMENSIONS (cm)	WEIGHT (Kg)	VOLUME (m3)	CTN/PLT	PCS/PLT
08199	25	white-black	350	350	57,5 x 37,5 x 45,0	14,76	0,097	16	5600
≪	customized	white-black	2100	350	57,5 x 37,5 x 45,0	14,76	0,097	16	5600

MAXI 28/400 **VITON**



TECHNICAL SPECIFICATIONS

Thread 28/400
 Output ml 2,2
 Gasket VITON
 Nozzle adjustable
 Watertight yes
 Dip tube filter yes
 A mm 72,6
 B mm 108
 Packing bulk

PLUS

- dip tube filter
- three-finger trigger

CODE	LPS (cm)	COLOUR	MIN. LOT	CARTON				EURO PALLET	
				PCS/CTN	DIMENSIONS (cm)	WEIGHT (Kg)	VOLUME (m3)	CTN/PLT	PCS/PLT
08187	20,5	white-blue	350	350	57,5 x 37,5 x 45,0	14,76	0,097	16	5600
08188	25	white-blue	350	50	37,0 x 29,0 x 20,0	2,20	0,021	88	4400
08189	25	white-blue	350	350	57,5 x 37,5 x 45,0	14,76	0,097	16	5600
≪	customized	white-blue	2100	350	57,5 x 37,5 x 45,0	14,76	0,097	16	5600

MAXI 360° 28/400 VITON

TECHNICAL SPECIFICATIONS

Thread	28/400
Output ml	2,2
Gasket	VITON
Nozzle	adjustable
Watertight	yes
Dip tube filter	yes
A mm	72,6
B mm	108
Packing	bulk


PLUS

- dip tube with system 360°
- metal cylinder in aisi stainless steel
- three-finger trigger

NOTE

- dip tube material: EVA

CODE	LPS (cm)	COLOUR	MIN. LOT	CARTON				EURO PALLET	
				PCS/CTN	DIMENSIONS (cm)	WEIGHT (Kg)	VOLUME (m3)	CTN/PLT	PCS/PLT
08214	25	white-blue	1000	200	37,5 x 29,0 x 46,0	9,74	0,050	16	5600
≪	customized	white-blue	1000	200	37,5 x 29,0 x 46,0	9,74	0,050	16	5600

LONG SPRAY 08

TECHNICAL SPECIFICATIONS

Material	PP-LDPE
Packing	50-piece PE bag

PLUS

- ideal for mechanical maintenance
- works at 360°

CODE	LENGTH (cm)	COLOUR	CARTON				EURO PALLET	
			PCS/CTN	DIMENSIONS (cm)	WEIGHT (Kg)	VOLUME (m3)	CTN/PLT	PCS/PLT
22641	71	white	200	39,0 x 24,0 x 11,5	2,16	0,011	190	38000

SPRAY PAC Ø 34 + TRIGGER SPRAYER

TECHNICAL SPECIFICATIONS

Min Ø cone mm	24
Max Ø cone mm	34
Material	-
Packing	bulk

PLUS

- with dip tube filter

NOTE

- available with sprayers Vela and Maxi

CODE	VERSION	LENGTH (cm)	COLOUR	CARTON				EURO PALLET	
				PCS/CTN	DIMENSIONS (cm)	WEIGHT (Kg)	VOLUME (m3)	CTN/PLT	PCS/PLT
22560	Spray Pac Ø 34 + Vela	120	white	250	59,0 x 39,0 x 56,0	18,46	0,129	16	4000
22543	Spray Pac Ø 34 + Maxi NBR	120	white-red	100	58,0 x 40,0 x 35,0	8,10	0,081	24	2400
22542	Spray Pac Ø 34 + Maxi NBR	120	white-red	250	59,0 x 39,0 x 56,0	19,46	0,129	16	4000
22563	Spray Pac Ø 34 + Maxi VITON	120	white-blue	100	58,0 x 40,0 x 35,0	8,10	0,081	24	2400
22562	Spray Pac Ø 34 + Maxi VITON	120	white-blue	250	59,0 x 39,0 x 56,0	19,46	0,129	16	4000

SPRAY PAC Ø 48 + TRIGGER SPRAYER

TECHNICAL SPECIFICATIONS

Min Ø cone mm	28
Max Ø cone mm	48
Material	-
Packing	bulk

PLUS

- with dip tube filter

NOTE

- available with sprayers Vela and Maxi

CODE	VERSION	LENGTH (cm)	COLOUR	CARTON				EURO PALLET	
				PCS/CTN	DIMENSIONS (cm)	WEIGHT (Kg)	VOLUME (m3)	CTN/PLT	PCS/PLT
22600	Spray Pac Ø 48 + Vela	120	white	250	59,0 x 39,0 x 56,0	20,96	0,129	16	4000
22577	Spray Pac Ø 48 + Maxi NBR	120	white-red	100	58,0 x 40,0 x 35,0	9,10	0,081	24	2400
22576	Spray Pac Ø 48 + Maxi NBR	120	white-red	250	59,0 x 39,0 x 56,0	21,96	0,129	16	4000
22592	Spray Pac Ø 48 + Maxi VITON	120	white-blue	100	58,0 x 40,0 x 35,0	9,10	0,081	24	2400
22591	Spray Pac Ø 48 + Maxi VITON	120	white-blue	250	59,0 x 39,0 x 56,0	21,96	0,129	16	-

FOAM NOZZLE


TECHNICAL SPECIFICATIONS

Material PP
Packing bulk

NOTE

- ideal with trigger sprayers Vela and Maxi

CODE	VERSION	COLOUR	CARTON				EURO PALLET		
			PCS/CTN	DIMENSIONS (cm)	WEIGHT (Kg)	VOLUME (m3)	CTN/PLT	PCS/PLT	
03624	Foam nozzle	-	-	-	-	-	-	-	-
✕	Foam nozzle + Vela	white	350	57,5 x 37,5 x 45,0	14,06	0,097	20	7000	
✕	Foam nozzle + Maxi NBR	white-red	350	57,5 x 37,5 x 45,0	15,46	0,097	20	7000	
✕	Foam nozzle + Maxi VITON	white-blue	350	57,5 x 37,5 x 45,0	15,46	0,097	20	7000	

LONG SPRAY 08 FLEXIBLE


TECHNICAL SPECIFICATIONS

Material PP-LDPE
Packing 50-piece PE bag

NOTE

- without spray nozzle
- not watertight

CODE	VERSION	LENGTH (cm)	COLOUR	CARTON				EURO PALLET	
				PCS/CTN	DIMENSIONS (cm)	WEIGHT (Kg)	VOLUME (m3)	CTN/PLT	PCS/PLT
22667	long spray 08 flexible	21	white	1000	37,5 x 29,0 x 46,0	8,64	0,050	38	38000
22671	long spray 08 flexible	31	white	800	37,5 x 29,0 x 46,0	8,10	0,050	38	30400

LONG SPRAY 08 FLEXIBLE + STEEL WIRE


TECHNICAL SPECIFICATIONS

Material PP-LDPE
Packing 50-piece PE bag

PLUS

- galvanized steel wire

NOTE

- without spray nozzle
- not watertight

CODE	VERSION	LENGTH (cm)	COLOUR	CARTON				EURO PALLET	
				PCS/CTN	DIMENSIONS (cm)	WEIGHT (Kg)	VOLUME (m3)	CTN/PLT	PCS/PLT
22695	long spray 08 flexible + steel wire	21	white	1000	37,5 x 29,0 x 46,0	10,54	0,050	38	38000
22697	long spray 08 flexible + steel wire	31	white	800	37,5 x 29,0 x 46,0	10,42	0,050	38	30400

LONG SPRAY 08 RIGID STRAIGHT


TECHNICAL SPECIFICATIONS

Material PVC-PP-LDPE
Packing 50-piece PE bag

NOTE

- without spray nozzle
- not watertight

CODE	VERSION	LENGTH (cm)	COLOUR	CARTON				EURO PALLET	
				PCS/CTN	DIMENSIONS (cm)	WEIGHT (Kg)	VOLUME (m3)	CTN/PLT	PCS/PLT
22744	long spray 08 rigid straight	21	white	1000	37,5 x 29,0 x 46,0	9,04	0,050	38	38000
22751	long spray 08 rigid straight	51	white	250	77,0 x 30,0 x 29,0	4,44	0,067	28	7000

LONG SPRAY 08 RIGID CURVED


TECHNICAL SPECIFICATIONS

Material PVC-PP-LDPE
Packing 50-piece PE bag

PLUS

- curved at 15° angle

NOTE

- without spray nozzle
- not watertight

CODE	VERSION	LENGTH (cm)	COLOUR	CARTON				EURO PALLET	
				PCS/CTN	DIMENSIONS (cm)	WEIGHT (Kg)	VOLUME (m3)	CTN/PLT	PCS/PLT
22775	long spray 08 rigid curved	21	white	1000	37,5 x 29,0 x 46,0	9,04	0,050	38	38000
22778	long spray 08 rigid curved	51	white	250	77,0 x 30,0 x 29,0	4,44	0,067	28	7000

LONG SPRAY V


TECHNICAL SPECIFICATIONS

Material PE-PP
Packing 50-piece PE bag

PLUS

- rounded tip

CODE	VERSION	LENGTH (cm)	COLOUR	CARTON				EURO PALLET	
				PCS/CTN	DIMENSIONS (cm)	WEIGHT (Kg)	VOLUME (m3)	CTN/PLT	PCS/PLT
22876	long spray V	8	white	500	37,5 x 28,0 x 29,5	3,13	0,031	-	-

LONG SPRAY OILER


TECHNICAL SPECIFICATIONS

Material PE-PP
Packing 50-piece PE bag

NOTE

- supplied with nozzle and tube unassembled

CODE	VERSION	LENGTH (cm)	COLOUR	CARTON				EURO PALLET	
				PCS/CTN	DIMENSIONS (cm)	WEIGHT (Kg)	VOLUME (m3)	CTN/PLT	PCS/PLT
22726	long spray oiler	25	white	5000	58,0 x 40,0 x 35,0	10,48	0,081	24	120000

SPRAY PUMPS



SPRAY PUMPS

We offer spray pumps with lever or button. Some of the models are watertight, and feature different dosing capacities and threads, they are mainly used for cosmetics and pharmaceuticals. Ideal for spraying deodorants, hair products, cosmetics, pharmaceuticals, tanning products and insect repellents. These items can be sold individually or combined with bottles.

Epoca recommends testing a sample of the product in question (including its seals) with your chemical compositions.

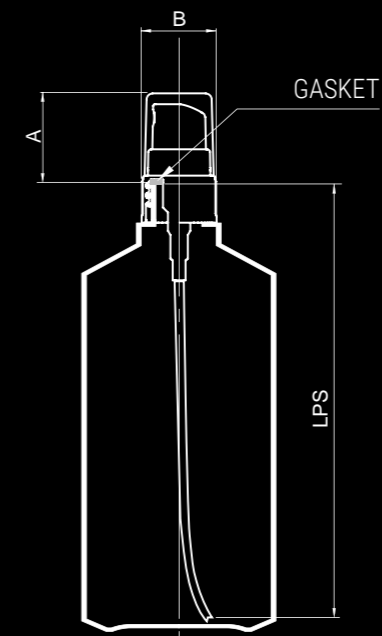
GASKETS

▲ Epoca recommends testing a sample of the product in question (including its seals) with your chemical compositions.

DIMENSIONS

Minispray

A: height up to the gasket
B: bottle thread diameter
lps: dip tube length (measured in cm)



MATERIALS

AISI: Steel
LDPE: Low density Polyethylene
PE: Polyethylene
POM: Polyoxymethylene
PP: Polypropylene Copolymere
PS: Polystrene

GMSP DIN 168 GL20



TECHNICAL SPECIFICATIONS

Thread DIN 168 GL20
 Output ml 0,13
 A mm 28
 B mm 23
 Packing bulk

PLUS

- watertight spray pump complete with cap in PS

NOTE

- suitable with bottles:
 Ep20 DIN 168 GL20
 Ep19 DIN 168 GL20
 Ep31 DIN 168 GL20
 Ep30 DIN 168 GL20

CODE	LPS (cm)	COLOUR	CARTON				EURO PALLET	
			PCS/CTN	DIMENSIONS (cm)	WEIGHT (Kg)	VOLUME (m3)	CTN/PLT	PCS/PLT
09253	14	white	1000	37,0 x 29,0 x 28,0	7,05	0,030	48	48000
09256	18,5	white	1500	58,0 x 40,0 x 35,0	13,22	0,081	24	36000
09257	18,5	white	1000	37,0 x 29,0 x 28,0	7,15	0,030	48	48000

MINITRIG SMART 24/410



TECHNICAL SPECIFICATIONS

Thread 24/410
 Output ml 0,25
 A mm 26
 B mm 72
 Packing bulk

PLUS

- watertight trigger sprayer with security clip
- "soft touch" trigger

NOTE

- suitable with bottles:
 Ep33 24/410
 Ep34 24/410

CODE	LPS (cm)	COLOUR	CARTON				EURO PALLET	
			PCS/CTN	DIMENSIONS (cm)	WEIGHT (Kg)	VOLUME (m3)	CTN/PLT	PCS/PLT
09203	17,5	transparent	500	38,5 x 29,0 x 49,5	8,84	0,055	32	16000
09212	17,5	black	500	38,5 x 29,0 x 49,5	8,84	0,055	32	16000

LCP 28/400 US



TECHNICAL SPECIFICATIONS

Thread 28/400 US
 Output ml 1,0
 A mm 36
 B mm 31
 Packing bulk

PLUS

- watertight finger sprayer complete with cap in PP

CODE	LPS (cm)	COLOUR	CARTON				EURO PALLET	
			PCS/CTN	DIMENSIONS (cm)	WEIGHT (Kg)	VOLUME (m3)	CTN/PLT	PCS/PLT
09228	20,5	white	500	58,0 x 40,0 x 35,0	6,48	0,081	24	12000

MICROSPRAY 24/410



TECHNICAL SPECIFICATIONS

Thread 24/410
 Output ml 0,5
 A mm 40
 B mm 26,8
 Packing bulk

PLUS

- watertight finger sprayer complete with cap in PS

NOTE

- suitable with bottles:
 Ep33 24/410
 Ep34 24/410

CODE	LPS (cm)	COLOUR	CARTON				EURO PALLET	
			PCS/CTN	DIMENSIONS (cm)	WEIGHT (Kg)	VOLUME (m3)	CTN/PLT	PCS/PLT
09278	16	white	1000	58,0 x 40,0 x 35,0	13,60	0,081	20	20000

DISPENSER PUMPS



DISPENSER PUMPS

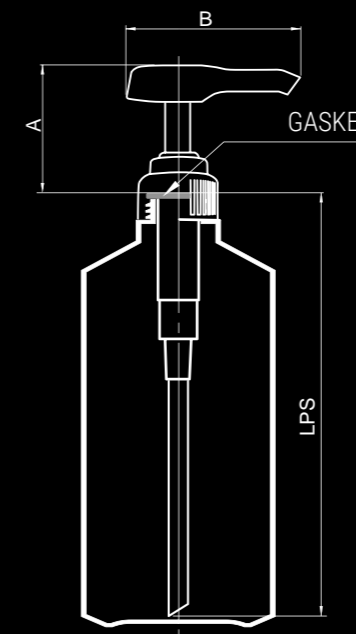
A wide range of different dispensers and dosing pumps is available. Dispensers and dosing pumps can be used to distribute viscous or liquid products, like soaps, detergents and disinfectants, therefore they are ideal in professional cleaning, cosmetics, pharmaceutical, food, community and industrial supplies. They distinguish for shape, volume, thread, gasket material (VITON-NBR). They can be sold individually or combined with certain bottles.

GASKETS

NBR Gaskets in nitrile rubber. Ideal with aliphatic hydrocarbons (fuels like gasoline and diesel), mineral oils, diluted acids, alkalis and salt solutions.

VITON Gaskets in Fluorinated Hydrocarbon. Ideal with oils and mineral fats silicone based, animal and vegetable oils, aliphatic hydrocarbons, aromatic hydrocarbons, very good resistance to weather, ozone, oxygen and sunlight.

▲ Epoca recommends testing a sample of the product in question (including its seals) with your chemical compositions.



DIMENSIONS

Dispenser pumps

- A: height up to the gasket
- B: width of the dispenser pump
- lps: dip tube length, measured in cm

MATERIALS

- AISI:** Steel
- HDPE:** high density Polyethylene
- LDPE:** low density Polyethylene
- PE:** Polyethylene
- POM:** Polyoxymethylene
- PP:** Polypropylene Copolymere

SCP 1 ML 28/400 US - 28/410 US - SCP 2 ML 28/400 US



TEC. SP. SCP 1 ML 28/400 US - 28/410 US				TEC. SP. SCP 2 ML 28/400 US			
Output ml	1	Output ml	2				
Gasket	PE	Gasket	PE				
Watertight	yes	Watertight	yes				
A mm	29	A mm	29				
B mm	49	B mm	49				
Packing	bulk	Packing	bulk				

- PLUS**
- watertight dispenser with lock position
 - suitable for soaps and high viscosity products

CODE	OUTPUT (ml)	THREAD	LPS (cm)	COLOUR	LOTTO MIN.	CARTON				EURO PALLET	
						PCS/CTN	DIMENSIONS (cm)	WEIGHT (Kg)	VOLUME (m3)	CTN/PLT	PCS/PLT
09581	1	28/410 US	27	white	500	500	58,0 x 40,0 x 35,0	7,98	0,081	24	12000
☒	1	28/410 US	customized	white	5000	500	58,0 x 40,0 x 35,0	7,98	0,081	24	12000
09549	1	28/400 US	17	white	700	700	58,0 x 40,0 x 35,0	9,38	0,081	24	16800
09553	1	28/400 US	27	white	500	500	58,0 x 40,0 x 35,0	7,48	0,081	24	12000
☒	1	28/400 US	customized	white	5000	500	58,0 x 40,0 x 35,0	6,98	0,081	24	12000
09595	2	28/400 US	27	white	500	500	58,0 x 40,0 x 35,0	7,98	0,081	24	12000
☒	2	28/400 US	customized	white	5000	500	58,0 x 40,0 x 35,0	7,98	0,081	24	12000

DOSA CÌ 3,5 ML



NEW



TECHNICAL SPECIFICATIONS

Output ml	3,5
Gasket	PE
Watertight	yes
A mm	49
B mm	72
Packing	bulk

- PLUS**
- professional watertight dispenser
 - suitable to assemble on tank caps
 - screw on closure
 - suitable for hand cleaning paste with micro-granules

CODE	OUTPUT (ml)	THREAD	LPS (cm)	COLOUR	LOTTO MIN.	CARTON				EURO PALLET	
						PCS/CTN	DIMENSIONS (cm)	WEIGHT (Kg)	VOLUME (m3)	CTN/PLT	PCS/PLT
24368	3,5	28/400	30	white	700	700	59,0 x 39,0 x 56,0	23,86	0,129	16	11200
☒	3,5	28/400	customized	white	700	700	59,0 x 39,0 x 56,0	23,86	0,129	16	11200

DOSA P2 ML



NEW



TECHNICAL SPECIFICATIONS

Output ml	3,5
Gasket	PE
Watertight	yes
A mm	49
B mm	72
Packing	bulk

- PLUS**
- professional watertight dispenser
 - suitable to assemble on tank caps
 - screw on closure

CODE	OUTPUT (ml)	THREAD	LPS (cm)	COLOUR	LOTTO MIN.	CARTON				EURO PALLET	
						PCS/CTN	DIMENSIONS (cm)	WEIGHT (Kg)	VOLUME (m3)	CTN/PLT	PCS/PLT
23351	2	28/410	27	natural clear	500	500	59,0x39,0x36,0	7,65	0,083	24	12000
☒	2	28/410	customized	natural clear	2000	500	59,0x39,0x36,0	7,65	0,083	24	12000

DOSA MÌ 3,5 ML



TECHNICAL SPECIFICATIONS

Output ml	3,5
Gasket	PE
Watertight	yes
A mm	49
B mm	72
Packing	bulk

- PLUS**
- professional watertight dispenser
 - suitable to assemble on tank caps
 - screw on closure

CODE	OUTPUT (ml)	THREAD	LPS (cm)	COLOUR	LOTTO MIN.	CARTON				EURO PALLET	
						PCS/CTN	DIMENSIONS (cm)	WEIGHT (Kg)	VOLUME (m3)	CTN/PLT	PCS/PLT
10070	3,5	28/400	26,5	natural clear	700	700	59,0 x 39,0 x 56,0	17,98	0,129	16	11200
☒	3,5	28/400	customized	natural clear	1400	700	59,0 x 39,0 x 56,0	17,98	0,129	16	11200
10078	3,5	28/400	26,5	black	700	700	59,0 x 39,0 x 56,0	17,98	0,129	16	11200
☒	3,5	28/400	customized	black	1400	700	59,0 x 39,0 x 56,0	17,98	0,129	16	11200
10086	3,5	28/410	26,5	natural clear	700	700	59,0 x 39,0 x 56,0	18,54	0,129	16	11200
☒	3,5	28/410	customized	natural clear	1400	700	59,0 x 39,0 x 56,0	18,54	0,129	16	11200
10088	3,5	28/410	26,5	black	700	700	59,0 x 39,0 x 56,0	18,54	0,129	16	11200
☒	3,5	28/410	customized	black	1400	700	59,0 x 39,0 x 56,0	18,54	0,129	16	11200

DOSA MÌ 5 ML



TECHNICAL SPECIFICATIONS

Output ml	5
Gasket	PE
Watertight	yes
A mm	56
B mm	72
Packing	bulk

PLUS

- tested for food use
- suitable to assemble on tank caps
- screw on closure

CODE	OUTPUT (ml)	THREAD	LPS (cm)	COLOUR	LOTTO MIN.	CARTON				EURO PALLET	
						PCS/CTN	DIMENSIONS (cm)	WEIGHT (Kg)	VOLUME (m3)	CTN/PLT	PCS/PLT
10118	5	28/400	26,5	white	650	650	59,0 x 39,0 x 56,0	18,04	0,129	16	10400
≪	5	28/400	customized	white	1300	650	59,0 x 39,0 x 56,0	18,04	0,129	16	10400

DOSA H 5 ML



TECHNICAL SPECIFICATIONS

Output ml	5
Gasket	PE
Watertight	yes
Colour	white
A mm	-
B mm	-
Packing	bulk

PLUS

- suitable to assemble on tank caps
- screw on closure

CODE	OUTPUT (ml)	THREAD	LPS (cm)	MIN. LOT	CARTON				EURO PALLET	
					PCS/CTN	DIMENSIONS (cm)	WEIGHT (Kg)	VOLUME (m3)	CTN/PLT	PCS/PLT
10156	5	28/400	26,5	650	650	59,0 x 39,0 x 56,0	-	0,129	16	9600
≪	5	28/400	customized	1200	650	59,0 x 39,0 x 56,0	-	0,129	16	9600

DOSA MÌ 10 ML



TECHNICAL SPECIFICATIONS

Output ml	10
Gasket	PE
Watertight	yes
A mm	78
B mm	72
Packing	bulk

PLUS

- tested for food use
- suitable to assemble on tank caps
- screw on closure

CODE	OUTPUT (ml)	THREAD	LPS (cm)	COLOUR	LOTTO MIN.	CARTON				EURO PALLET	
						PCS/CTN	DIMENSIONS (cm)	WEIGHT (Kg)	VOLUME (m3)	CTN/PLT	PCS/PLT
10049	10	28/400	26,5	white	600	600	59,0 x 39,0 x 56,0	18,80	0,129	16	9600
≪	10	28/400	customized	white	1200	600	59,0 x 39,0 x 56,0	18,80	0,129	16	9600

DISPENSER 20 ML



TECHNICAL SPECIFICATIONS

Output ml	20
Watertight	no
A mm	123
B mm	164
Packing	bulk

NOTE

- dip tube and back nut are supplied unassembled

PLUS

- tested for food use
- possibility to customize knob with pad printing

CODE	GASKET	LPS (cm)	COLOUR	MIN. LOT	CARTON				EURO PALLET	
					PCS/CTN	DIMENSIONS (cm)	WEIGHT (Kg)	VOLUME (m3)	CTN/PLT	PCS/PLT
09881	NBR	27	white	100	50	37,5 x 29,0 x 46,0	6,34	0,050	38	1900
≪	NBR	customized	white	100	50	37,5 x 29,0 x 46,0	6,34	0,050	38	1900
09891	VITON	27	white	100	50	37,5 x 29,0 x 46,0	6,34	0,050	38	1900
≪	VITON	customized	white	100	50	37,5 x 29,0 x 46,0	6,34	0,050	38	1900

DISPENSER 30 ML



TECHNICAL SPECIFICATIONS

Output ml	30
Watertight	no
A mm	123
B mm	164
Packing	bulk

NOTE

- dip tube and back nut are supplied unassembled

PLUS

- tested for food use
- possibility to customize knob with pad printing

					CARTON				EURO PALLET	
CODE	GASKET	LPS (cm)	COLOUR	MIN. LOT	PCS/CTN	DIMENSIONS (cm)	WEIGHT (Kg)	VOLUME (m3)	CTN/PLT	PCS/PLT
09791	NBR	27	white	50	50	37,5 x 29,0 x 46,0	6,24	0,050	38	1900
≧<	NBR	customized	white	100	50	37,5 x 29,0 x 46,0	6,24	0,050	38	1900
09822	VITON	27	white	100	50	37,5 x 29,0 x 46,0	6,24	0,050	38	1900
≧<	VITON	customized	white	100	50	37,5 x 29,0 x 46,0	6,24	0,050	38	1900

AEROSOL ADAPTER



TECHNICAL SPECIFICATIONS

Thread	28/400
Material	HDPE
Colour	natural clear
Packing	bulk

NOTE

- to fasten a trigger sprayer onto an aerosol tin can with rim 1"

					CARTON			EURO PALLET	
CODE	MIN. LOT	PCS/CTN	DIMENSIONS (cm)	WEIGHT (Kg)	VOLUME (m3)	CTN/PLT	PCS/PLT		
03521	2500	2500	37,5 x 29,0 x 46,0	9,24	0,050	38	95000		

28-38 ADAPTER



TECHNICAL SPECIFICATIONS

Thread	28/400
Material	PP
Colour	white
Packing	bulk

PLUS

- to reduce thread from 38/400 to 28/400

					CARTON			EURO PALLET	
CODE	MIN. LOT	PCS/CTN	DIMENSIONS (cm)	WEIGHT (Kg)	VOLUME (m3)	CTN/PLT	PCS/PLT		
03491	200	200	37,0 x 29,0 x 20,0	1,70	0,021	88	17600		

28-30 ADAPTER



TECHNICAL SPECIFICATIONS

Thread	30/400
Material	PP
Colour	white
Packing	bulk

PLUS

- bottle adaptor with Ropp cap
- possibility to customize with printing

						CARTON		EURO PALLET	
CODE	MIN. LOT	PCS/CTN	DIMENSIONS (cm)	WEIGHT (Kg)	VOLUME (m3)	CTN/PLT	PCS/PLT		
03494	200	200	37,0 x 29,0 x 20,0	1,04	0,021	88	17600		

ONE CLICK 28/400



TECHNICAL SPECIFICATIONS

Thread	28/400
Material	PP
Colour	white
Packing	bulk

PLUS

- pad printing possible on sides

NOTE

- suitable for bottles with ROPP cap Ø 31,5 mm

						CARTON		EURO PALLET	
CODE	MIN. LOT	PCS/CTN	DIMENSIONS (cm)	WEIGHT (Kg)	VOLUME (m3)	CTN/PLT	PCS/PLT		
03651	200	100	39,0 x 24,0 x 11,5	1,48	0,011	190	19000		

DOSA MÌ 3,5 ML + GARDEN CLUB BOTTLE



BOTTLE TECHNICAL SPECIFICATIONS

Capacity	790 ml
Thread	28/400
Material	PS
Colour	white/aquamarine
Packing	bulk

							CARTON			EURO PALLET	
CODE	COLOUR	MIN. LOT	PCS/CTN	DIMENSIONS (cm)	WEIGHT (Kg)	VOLUME (m3)	CTN/PLT	PCS/PLT			
16480	white	120	9	34,5 x 34,5 x 27,5	1,66	0,033	48	432			

DOSA MÌ 5 ML - 10 ML + ONE CLICK



TECHNICAL SPECIFICATIONS

Gasket PE
 Colour white
 Packing bulk

PLUS

- pad printing possible on sides

NOTE

- suitable for bottles with ROPP cap Ø 31,5 mm

CODE	OUTPUT (ml)	LPS (cm)	MIN. LOT	CARTON				EURO PALLET	
				PCS/CTN	DIMENSIONS (cm)	WEIGHT (Kg)	VOLUME (m3)	CTN/PLT	PCS/PLT
11997	5	25,5	150	150	38,5 x 29,0 x 49,5	6,16	0,055	32	4800
☒	5	customized	1000	-	-	-	-	-	-
11938	10	25,5	150	150	38,5 x 29,0 x 49,5	6,70	0,055	32	4800
☒	10	customized	1000	-	-	-	-	-	-

DOSA MÌ 5 ML + ADAPTER AND BACK NUT



TECHNICAL SPECIFICATIONS

Thread 28/400
 Gasket PE
 Packing bulk

NOTE

- equipped with adaptor
- with bore hole Ø 22 mm

CODE	OUTPUT (ml)	COLOUR	LPS (cm)	MIN. LOT	CARTON			EURO PALLET		
					PCS/CTN	DIMENSIONS (cm)	WEIGHT (Kg)	VOLUME (m3)	CTN/PLT	PCS/PLT
10138	5	white	25,4	650	650	59,0 x 39,0 x 56,0	19,66	0,129	16	10400
☒	5	white	customized	1300	-	-	-	-	-	-

DOSA MÌ 3,5 ML + ADAPTER AND BACK NUT



TECHNICAL SPECIFICATIONS

Thread 28/400
 Gasket PE
 Packing bulk

NOTE

- equipped with adaptor
- with bore hole Ø 22 mm



CODE	OUTPUT (ml)	COLOUR	LPS (cm)	MIN. LOT	CARTON				EURO PALLET	
					PCS/CTN	DIMENSIONS (cm)	WEIGHT (Kg)	VOLUME (m3)	CTN/PLT	PCS/PLT
10097	3,5	natural clear	25,4	700	700	59,0 x 39,0 x 56,0	20,64	0,129	16	11200
☒	3,5	natural clear	customized	1400	-	-	-	-	-	-
10102	3,5	black	25,4	700	700	59,0 x 39,0 x 56,0	20,64	0,129	16	11200
☒	3,5	black	customized	1400	-	-	-	-	-	-

DOSA MÌ 10 ML + ADAPTER AND BACK NUT



TECHNICAL SPECIFICATIONS

Thread 28/400
 Gasket PE
 Packing bulk

NOTE

- equipped with adaptor
- with bore hole Ø 22 mm



CODE	OUTPUT (ml)	COLOUR	LPS (cm)	MIN. LOT	CARTON			EURO PALLET		
					PCS/CTN	DIMENSIONS (cm)	WEIGHT (Kg)	VOLUME (m3)	CTN/PLT	PCS/PLT
10059	10	white	25,4	600	600	59,0 x 39,0 x 56,0	20,60	0,129	16	9600
☒	10	white	customized	1200	-	-	-	-	-	-

DOSA MÌ 3,5 ML + CUSTOMER CAP



TECHNICAL SPECIFICATIONS

Thread 28/400
Gasket PE
Packing bulk

PLUS

- assembled on customer's cup



CODE	OUTPUT (ml)	COLOUR	LPS (cm)	MIN. LOT	CARTON				EURO PALLET	
					PCS/CTN	DIMENSIONS (cm)	WEIGHT (Kg)	VOLUME (m3)	CTN/PLT	PCS/PLT
☒	3,5	natural clear	customized	800	-	-	-	-	-	-
☒	3,5	black	customized	800	-	-	-	-	-	-

DOSA MÌ 5 ML + CUSTOMER CAP



TECHNICAL SPECIFICATIONS

Thread 28/400
Gasket PE
Packing bulk

PLUS

- assembled on customer's cup



CODE	OUTPUT (ml)	COLOUR	LPS (cm)	MIN. LOT	CARTON				EURO PALLET	
					PCS/CTN	DIMENSIONS (cm)	WEIGHT (Kg)	VOLUME (m3)	CTN/PLT	PCS/PLT
☒	5	white	customized	800	-	-	-	-	-	-

DOSA MÌ 10 ML + CUSTOMER CAP



TECHNICAL SPECIFICATIONS

Thread 28/400
Gasket PE
Packing bulk

PLUS

- assembled on customer's cup



CODE	OUTPUT (ml)	COLOUR	LPS (cm)	MIN. LOT	CARTON				EURO PALLET	
					PCS/CTN	DIMENSIONS (cm)	WEIGHT (Kg)	VOLUME (m3)	CTN/PLT	PCS/PLT
☒	10	white	customized	800	-	-	-	-	-	-

DOSA H 5 ML + ONE CLICK



TECHNICAL SPECIFICATIONS

Output ml 5
Gasket PE
Colour white
Packing bulk

PLUS

- pad printing possible on sides

NOTE

- suitable for bottles with ROPP cap Ø 31,5 mm



CODE	LPS (cm)	MIN. LOT	CARTON				EURO PALLET	
			PCS/CTN	DIMENSIONS (cm)	WEIGHT (Kg)	VOLUME (m3)	CTN/PLT	PCS/PLT
12038	25,5	150	150	38,5 x 29,0 x 49,5	-	0,055	32	4800
☒	customized	800	-	-	-	-	-	-

DOSA H 5 ML + ADAPTER AND BACK NUT



TECHNICAL SPECIFICATIONS

Output ml 5
Thread 28/400
Gasket PE
Colour white
Packing bulk



CODE	LPS (cm)	MIN. LOT	CARTON				EURO PALLET	
			PCS/CTN	DIMENSIONS (cm)	WEIGHT (Kg)	VOLUME (m3)	CTN/PLT	PCS/PLT
10168	25,8	650	650	59,0 x 39,0 x 56,0	1,46	0,129	16	10400
☒	customized	1300	-	-	-	-	-	-

DOSA H 5 ML + CUSTOMER CAP



TECHNICAL SPECIFICATIONS

Output ml	5
Thread	28/400
Gasket	PE
Colour	white
Packing	bulk

PLUS

- supplied mounted on customers cap

CODE	LPS (cm)	MIN. LOT	CARTON				EURO PALLET	
			PCS/CTN	DIMENSIONS (cm)	WEIGHT (Kg)	VOLUME (m3)	CTN/PLT	PCS/PLT
☒	customized	800	-	-	-	-	-	-

DISPENSER 30 ML + CUSTOMER CAP



TECHNICAL SPECIFICATIONS

Output ml	30
Colour	white
Packing	bulk

PLUS

- supplied mounted on customers cap

NOTE

- dip tube not inserted

CODE	GASKET	LPS (cm)	MIN. LOT	CARTON				EURO PALLET	
				PCS/CTN	DIMENSIONS (cm)	WEIGHT (Kg)	VOLUME (m3)	CTN/PLT	PCS/PLT
☒	NBR	customized	100	-	-	-	-	-	-
☒	VITON	customized	100	-	-	-	-	-	-

COMMUNITY

A line of articles consisting of humidifiers for radiators, counter and wall dispensers. They are used for professional cleaning, disinfection, in public places (bars, restaurants, hotels, gas stations, etc.) and at home.



UMIDI HUMIDIFIER



TECHNICAL SPECIFICATIONS

Capacity ml 730
Packing single bag



CODE	COLOUR	EAN CODE	CARTON				EURO PALLET	
			PCS/CTN	DIMENSIONS (cm)	WEIGHT (kg)	VOLUME (m3)	CTN/PLT	PCS/PLT
23058	ice	8003916070565	12	27,5 x 27,0 x 20,0	1,92	0,015	128	1536
23057	turtledove	8003916070565	12	27,5 x 27,0 x 20,0	1,92	0,015	128	1536

SPRINT SINGLE BOX



TECHNICAL SPECIFICATIONS

Capacity ml 750
Output ml 4
Packing in single box supplied with tape and screw



CODE	COLOUR	EAN CODE	CARTON				EURO PALLET	
			PCS/CTN	DIMENSIONS (cm)	WEIGHT (kg)	VOLUME (m3)	CTN/PLT	PCS/PLT
22412	white	8003916070220	12	37,5 x 28,0 x 29,5	4,18	0,031	56	672
22418	blue transparent	8003916070220	12	37,5 x 28,0 x 29,5	4,18	0,031	56	672
22409	transparent	8003916070220	12	37,5 x 28,0 x 29,5	4,18	0,031	56	672

MINISPRINT



TECHNICAL SPECIFICATIONS

Capacity ml 400
Output ml 1
Packing bulk

NOTE

• without bracket



CODE	COLOUR	EAN CODE	CARTON				EURO PALLET	
			PCS/CTN	DIMENSIONS (cm)	WEIGHT (kg)	VOLUME (m3)	CTN/PLT	PCS/PLT
22495	white	-	18	37,0 x 29,0 x 20,0	1,76	0,021	88	1584

SILK-SCREEN AND PAD PRINTING

Bottles and several other items within our range can be customised with one or two colour silk-screen printing and/or one colour pad printing. Minimum lots subject to a certain +/- tolerance will be required depending on items and printing technique. The artwork shall be provided by the Customer in vector-graphic format, otherwise additional costs will be charged accordingly. Dimensions may have to be adjusted according to printable surface available.

LABELLING

Bottles, wall and table dispensers can be customised with labelling. To avoid extra application expenses, labels supplied by the Customer shall be on rolls and shall not exceed the dimensions shown in the table below. In case the Customer requests Epoca to take care of the printing the labels, the artwork must be provided in vector-graphic format otherwise additional costs will be charged accordingly. Maximum label dimensions are listed in the tab hereunder.

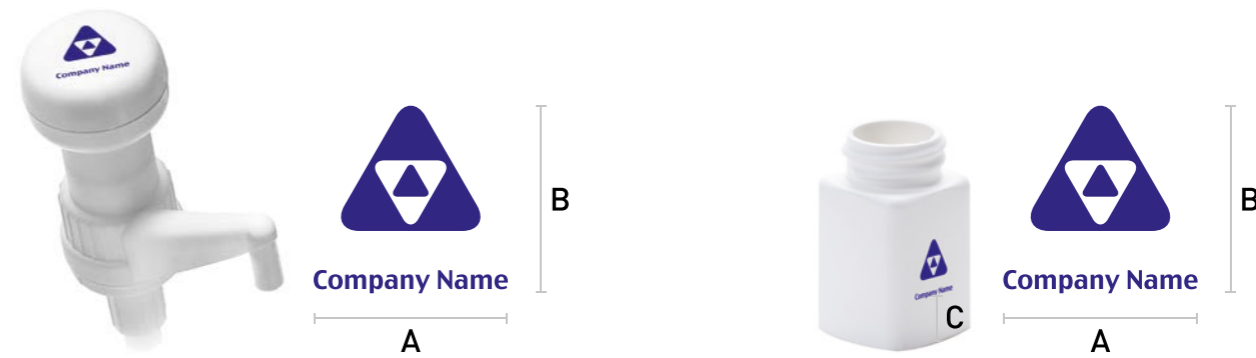
SILK-SCREEN AND PAD PRINTING

BOTTLES - SILK-SCREEN AND PAD PRINTING



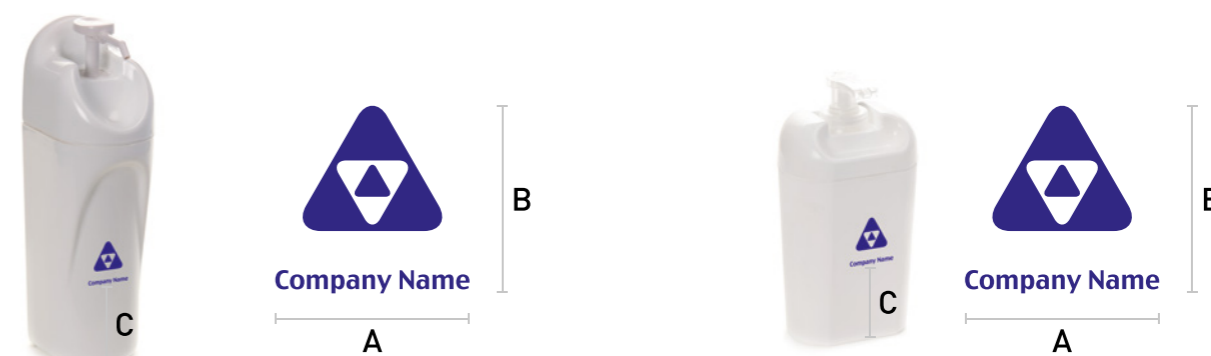
BOTTLE	THREAD	DIMENSIONS mm			SILK-SCREEN		DIMENSIONS mm			PAD PRINTING
		A max	B max	C min	1 colour	2 colours	A max	B max	C min	1 colour
Ep01	28/400	240	170	13	2000	5000	-	-	-	-
Ep36	28/400	210	175	13	3000	5000	-	-	-	-
Ep02	28/400	210	108	13	3000	5000	-	-	-	-
Ep14	28/400	-	-	-	-	-	40	50	70	1000
Ep12	28/400	-	-	-	-	-	40	50	40	1000
Ep16	28/400	340	60	25	3000	5000	-	-	-	-
Ep15	28/400	300	45	22	3000	5000	-	-	-	-
Ep22	28/400	-	-	-	-	-	50	60	35	1000
Ep35	28/400	-	-	-	-	-	40	60	25	1000
Ep10	28/400	-	-	-	-	-	50	65	20	500
Ep07	28/400	260	42	13	3000	5000	-	-	-	-
Ep32	28/400	180	140	15	3000	5000	-	-	-	-
Ep300	28/400	200	65	15	3000	5000	-	-	-	-
Ep20	28/400 US	170	65	15	3000	-	-	-	-	-
Ep20	DIN 168 GL20	170	65	15	3000	-	-	-	-	-
Ep19	DIN 168 GL20	140	50	10	3000	-	-	-	-	-
Ep25	28/400	-	-	-	-	-	40	45	20	1000

DISPENSERS AND ADAPTORS - PAD PRINTING



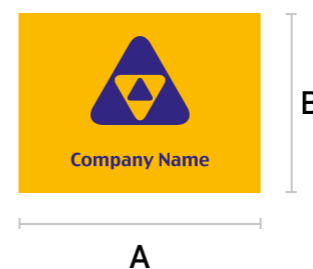
	DIMENSIONS mm			minimum lot pcs (± 10%)
	A max	B max	C min	PAD PRINTING
Top of dispenser cap 20-30 ml	40	30	-	1 colour 500
One Click	20	30	5	500

SOAP DISPENSERS - PAD PRINTING



	DIMENSIONS mm			minimum lot pcs (± 10%)
	A max	B max	C min	PAD PRINTING
Sprint	40	70	25	1 colour 500
Minisprint	40	70	15	500

LABELLING



	DIMENSIONS mm		minimum quantity (± 10%)	
	A max	B max	GRAPHIC 1 COLOUR	GRAPHIC 2 COLOURS
Hard sprayers - Minisprint - Sprint	40	45	2000	2000



EPOCA SPA
LOCALITÀ SAN LAZZARO
VIA SANT'ANDREA 24
36061 BASSANO DEL GRAPPA (VI) - ITALY

Tel. +39 0424 88 49 11 - Fax +39 0424 56 72 46
info@epocaspa.com - www.epocaspa.com



EN